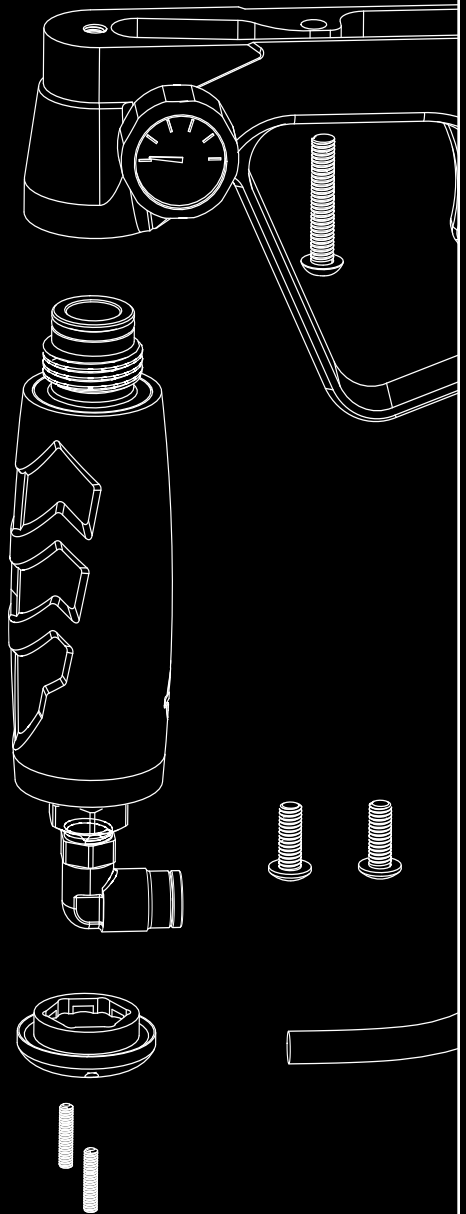
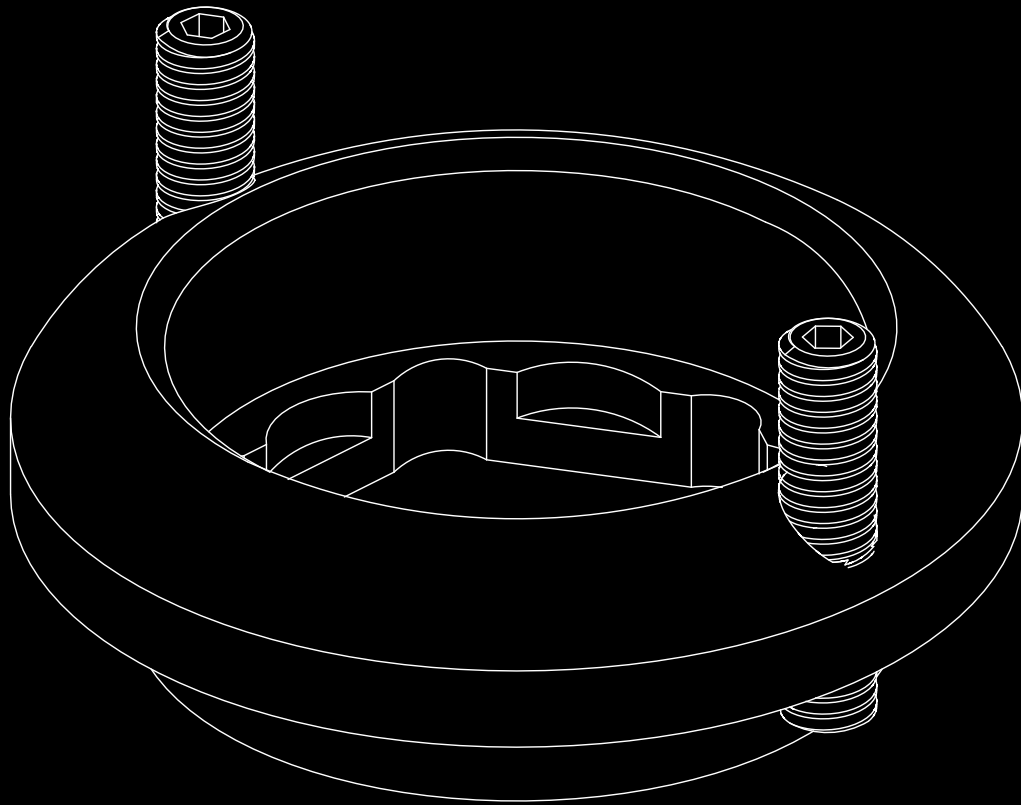


TOURNAMENT LOCKING CAP

Installation and operation instructions



INSTRUCTIONS

The tournament locking cap provides additional security to prevent unauthorized velocity adjustment of Smart Parts markers, and may be required by some tournament or field rules. The velocity locking cap is compatible with Smart Parts regulators which utilize a 5/8-inch hexagonal adjuster cap.

INSTALLATION

To install, following the marker's operation manual, adjust its velocity then unload and degas the marker. Disconnect the macroline hose from the vertical regulator, and fit the Tournament Locking Cap over and past the wrench flats of the regulator's adjuster cap.

Turn the locking cap 1/12th of a turn and pull it away from the regulator body so that the points on the adjuster cap lock into the star shaped ridges in the tournament locking cap. Screw in the set screws with a 0.050-inch allen wrench so that they press on the regulator body and wedge the ring against the adjuster cap, preventing it from turning. Reconnect the macroline.

NOTE: The locking screws should be tightened firmly, but be cautious of over-tightening as this may cause damage to the bottom edge of the regulator body.

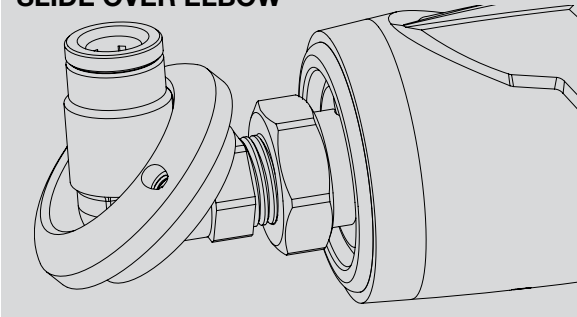
In some cases, installation on an Epiphany may require removal of the Epiphany regulator cover for initial installation. See the Epiphany manual for disassembly instructions.

ADJUSTMENT

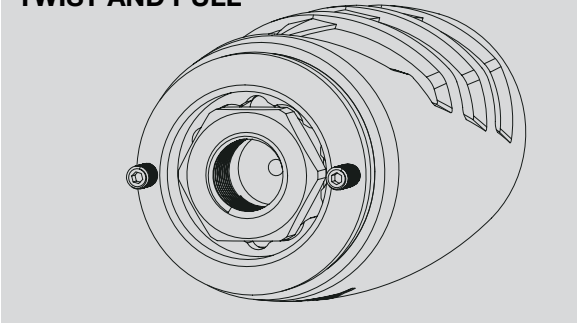
Once installed, the velocity locking cap may be unlocked by loosening the two set screws with a 0.050-inch allen wrench. Make adjustments to the marker's velocity following the instructions in its manual, and re-lock the tournament locking cap by re-tightening the set screws so that the locking cap is once again wedged firmly against the adjuster cap.

THE TOURNAMENT LOCKING CAP IS COMPATIBLE WITH THE ION, SP-8, EPIPHANY AND ANY MARKER USING THE ION VERTICAL REGULATOR.

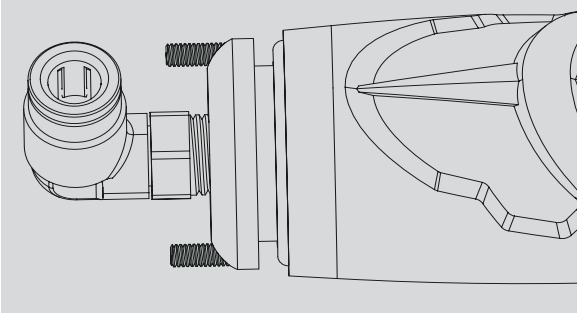
SLIDE OVER ELBOW



TWIST AND PULL



TIGHTEN SET SCREWS



While every effort has been made to ensure that the information contained in this guide is accurate and complete, no liability can be accepted for errors or omissions. Smart Parts, Inc. reserves the right to change the specifications of the Velocity Locking Cap at any time without prior notice. The latest version of this and other Smart Parts manuals may be downloaded free of charge at www.SmartParts.com.



SMARTPARTS

800.922.2147 100 Station St. Loyahanna, PA 15661 www.smartparts.com manual version 2.0